

horizon ELITE

NOTE: The programmable run-time has been preset for **10 Minutes**. Instructions to change this setting are located on page 7.

Model 755V
Shown



Model 755 - 24-Place, 755V - 24-Place, 755 - 12-Place, 755 Microplate Operator's / Service Manual

Table of Contents

Model Description	pg. 3
Supplied Equip.	pg. 4
Available Features	pg. 5
Specifications	pg. 6-7
Control Panel	pg. 8
Setup Location	pg. 9
Initial Setup Procedure	pg. 9-10
Additional Setup Procedure	pg. 10-11
Operation	pg. 11
Balanced Loads	pg. 12
Tube Holder Configurations	pg. 13
Force Chart—12 place	pg. 14
Care and Preventative Service	pg. 15
Rotor Removal and Installation	pg. 16
Safety	pg. 17
Emergency Rotor Chamber Entry	pg. 17
Troubleshooting	pg. 18
Available Accessories	pg. 19-20
Warranty	pg. 24

WARNING: Care should be taken when handling substances that are known to be toxic, radioactive or contaminated with pathogenic microorganisms when using this centrifuge for the safety of both the operator and service personnel. When Risk Group II materials are used (as identified in the World Health Organization “Laboratory Bio-Safety Manual”), a Bio-Seal should be employed. More than one level of protection must be provided in the case of materials of a higher group. The use of flammable or explosive materials as well as those materials which chemically react vigorously is prohibited.

Model Description:

The Horizon Model 755 is a continuous-duty, electronically-controlled, single or variable-speed, horizontal laboratory centrifuge with a lid safety interlock system. The unit is controlled by an electronic push-button timer that is variable from 1 to 30 minutes, for precise spin times and ease of use. Samples can be safely viewed through the transparent lid. The imbalance detection system safely terminates a run cycle in the event that a severely imbalanced load is present. Entry into the machine is restricted during operation by the safety interlock system. The Horizon features a lighted control panel that displays the status of the machine, easily viewable from a distance. Finally, a cycle counter keeps a count of the total number of machine runs for servicing and maintenance records.

Intended Use:

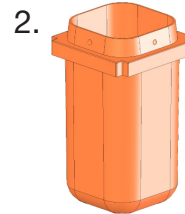
General purpose laboratory centrifuge for sample preparation.



Supplied Equipment*:

The following items come standard with each Horizon 755V-24 Centrifuge:

- 1. One (1) six-place horizontal rotor
 - 2. Six (6) 100 mm four-place tube carriers p/n 7786022
 - 3. One (1) Operator's Manual (not shown) p/n 7713023
 - 4. One (1) Tutorial CD (not shown)
- Optional:
- 50mL single-place tube carrier p/n 7713037
 - Carrier cap p/n 7713035

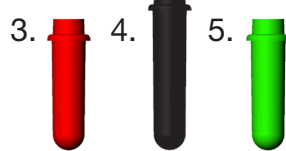
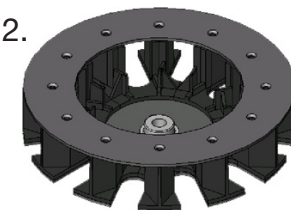


* The rotor and rotor accessories are rated for a rotation frequency of 3500 RPM (a force of 2100 xg).

Supplied Equipment*:

The following items come standard with each Horizon 755V-12 Centrifuge:

- 1. One (1) Horizon centrifuge
- 2. One (1) twelve-place horizontal rotor p/n 7786024
- 3. Twelve (12) 100 mm test tube holders p/n 7713031
- 4. Twelve (12) 125mm test tube holders p/n 7713032
- 5. Twelve (12) 75 mm test tube p/n 7713033
- 6. One (1) Operator's manual



NOTE: Your centrifuge may have been shipped with additional or alternate accessories.

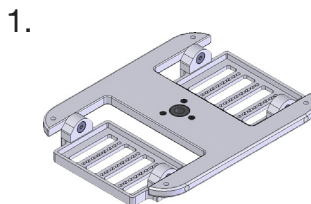


* The rotor and rotor accessories are rated for a rotation frequency of 4,000 RPM, (a force of 2450 xg with the 100mm tube holders).

Supplied Equipment*:

The following items come standard with each Horizon 755 Microplate Centrifuge:

- 1. One (1) Microplate rotor p/n 7786051
- 2. One (1) Operator's manual p/n 7711017



* This rotor is rated for a rotation frequency of 1500 RPM.



Available Features:

- Swing-out horizontal rotor design incorporating a unique test tube holder that produces **horizontally separated samples** while requiring no additional parts, (optional fixed-angle rotors are also available)
- Variable-speed (Model 755V, see speed range below)
- Cool-Flow air flow design that prevents overheating of samples
- Heavy gauge steel construction for safety and durability
- Lid safety switch that prevents the centrifuge from operating unless the lid is closed and latched
- Removable rotor for easy cleaning
- Locking lid that allows entry into the centrifuge only after the rotor has completely stopped
- Brushless DC Motor; requires no routine maintenance, cool running
- Clear lid for safe observation of samples and optical calibration of speed
- Electronically controlled timed operation variable from 1 to 30 minutes
- Push-button operation
- Indicator lights:

'RUN'	green	-lights when power is applied to the motor
'LATCH'	yellow	-lights when the lid is closed and latched
'UNLOCKED'	red	-lights when the lock system is deactivated
- Cycle counter to monitor machine usage
- Audible indicator at the end of each run



Specifications: 12-Place

Speed Range (Model 755V):

755V w/12-Place Horizontal Rotor: 500 to 3,200 (± 100) RPM*
755V w/Fixed-Angle Rotors: 500 to 4,000 (± 100) RPM*

Max Speed (Model 755): *(This speed is set by the factory, see page 7)*

with 12-Place Horizontal Rotor 3,600 (± 100) RPM
with Fixed-Angle Rotors 3,600 (± 100) RPM

Maximum capacity:

12-Place Horizontal Rotor: 180 mL (12 x 15 mL)
20-Place Fixed-Angle Rotor: 300 mL (20 x 15 mL)

Overall Dimensions (H x W x D):

9 in. x 14.5 in. x 17 in.

Centrifuge Motor:

1/2 H.P. Brushless DC

Nominal Acceleration Time:

30 seconds

Nominal Braking Time:

15 seconds

Protection Breaker:

4 Amp. re-settable

Timer (electronic):

1 to 30 min $\pm 1\%$

Current Requirement:

2.0 A @ 115 VAC
or 1.0 A @ 230 VAC

Voltage Requirement:

115 or 230 ($\pm 10\%$) Volts AC

Frequency:

50 / 60 Hz

Weight:

39 lbs.

* Any use other than those specified by the manufacturer is explicitly prohibited.

Maximum speed shown is for the given rotor with 100mm red tube holders. The use of other tube holders will alter the maximum speed.

Specifications: 24-Place

Speed Range (V.S.V.):

755V w/24-Place Horizontal Rotor: 500 to 3,150 ($\pm 5\%$) RPM
755V w/20-Place Fixed-Angle Rotors: 3,150 (± 100) RPM*

Force Range (variable speed version):

3,200 (± 100) RPM*
45 to 1,760 ($\pm 10\%$) xg

Single Speed Setting:

(This speed is set by the factory, see page 7)

3,000 ($\pm 5\%$) RPM

Force (@ 3000RPM):

1,600 x g

Maximum capacity:

240 mL (24 x 10 mL)*
300 mL (6 x 50 mL)*

Overall Dimensions (H x W x D):

9 in. x 14.5 in. x 17 in.

Centrifuge Motor:

1/2 H.P. Brushless DC

Nominal Acceleration Time:

30 seconds

Nominal Braking Time:

15 seconds

Protection Breaker:

4 Amp. re-settable

Timer (electronic):

1 to 30 min $\pm 1\%$

Current Requirement:

2.0 @ 115 VAC
or 1.0 A @ 230 VAC

Voltage Requirement:

115 or 230 ($\pm 10\%$) Volts AC

Frequency:

50 / 60 Hz

Weight:

39 lbs.



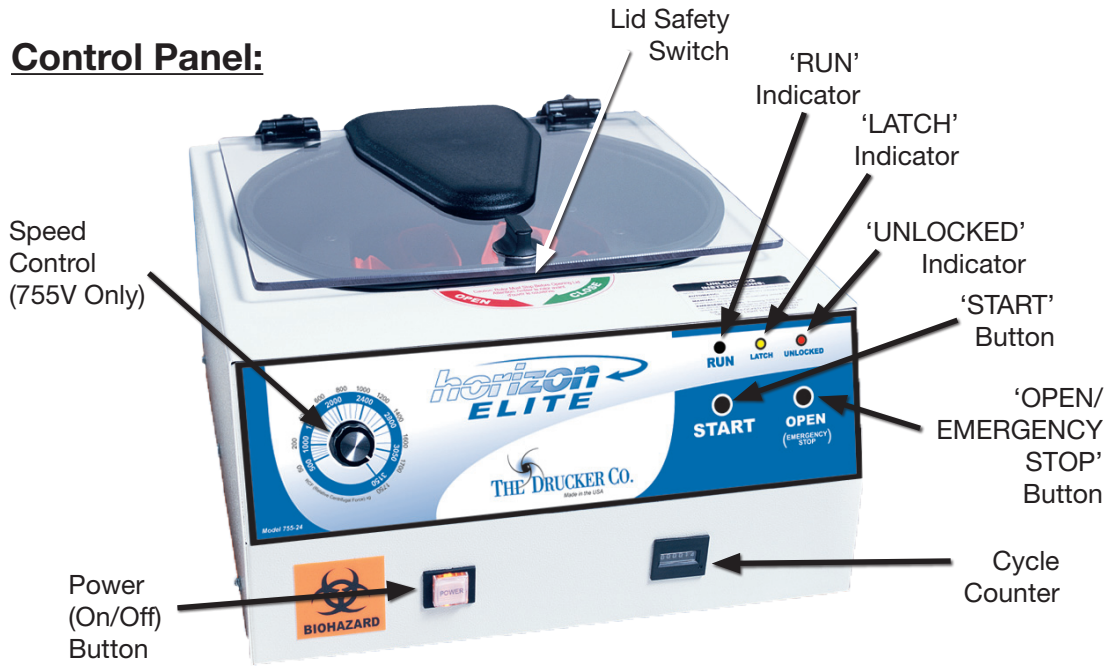
Specifications: Microplate Rotor

Speed:	1500RPM (± 100) RPM
Force:	322 (± 50) xg
Maximum capacity:	200g
Overall Dimensions (H x W x D):	9 in. x 14.5 in. x 17 in.
Centrifuge Motor:	1/2 H.P. Brushless DC
Nominal Acceleration Time:	65 seconds
Nominal Deceleration (Breaking) Time:	50 seconds
Protection Breaker:	4 Amp. re-settable
Timer (electronic):	1 to 30 min $\pm 1\%$
Current Requirement:	2.0 A @ 115 VAC or 1.0 A @ 230 VAC
Voltage Requirement:	115 or 230 ($\pm 10\%$) Volts AC
Frequency:	50 / 60 Hz
Weight:	39 lbs.

Any use other than those specified by the manufacturer is explicitly prohibited.

* Maximum speed density is 1.15 grams/mL (water density = 1.00 grams/mL).

Control Panel:



'RUN' Indicator	Lights up when the machine is in operation, (power is being applied to the motor).	'START' Button	Begins a new run, (the lid must be closed, see pg. 6).
'LATCH' Indicator	Lights up when the lid has been closed and latched properly.	'OPEN / EMERGENCY STOP' Button	Allows access into the rotor chamber by disengaging the locking mechanism. Entry is only permitted when the rotor is stopped. Pressing this button during operation will terminate the run and unlock the lid after the rotor has come to a stop.
'UNLOCKED' Indicator	Lights up to indicate that the locking mechanism has been deactivated, allowing access to the rotor chamber.	Cycle Counter	This counter increments once for each run of the centrifuge. This count is used for both warranty purposes and for routine maintenance.
Power (On/Off) Button	This button controls the power to the centrifuge. The power is on when the button is illuminated.	Lid Safety Switch	The lid safety switch prevents the centrifuge from operating while the lid is open. If the knob is not turned completely clockwise to its stop position the centrifuge cannot operate. Programming functions are accessed by first opening the lid safety switch.
Speed Control (755V ONLY)	Use this input to set the running speed of the centrifuge. The speed may also be adjusted while the centrifuge is running.		

Setup Location:

1. Unpack the centrifuge and verify that all of the supplied equipment is present.
2. Choose a setup location which meets the following criteria:
 - a) A bench top clearance height of 24" is required in order to open the lid.
 - b) The clearance envelope is the space around the centrifuge which is required for safety. Choose a setup location which will allow for a clearance envelope of at least 30" x 30" (with the centrifuge at the center). No person or hazardous material shall be permitted in the clearance envelope during operation. The operator time within the envelope shall be limited to the time necessary for loading, unloading and centrifuge operation only.
 - c) Proper ventilation is necessary to prevent the overheating of samples as well as premature failure of the centrifuge. Choose an area which will allow unencumbered air flow.
 - d) No adjustment is necessary for leveling the centrifuge, however, the surface should be flat and level.
 - e) **Be sure the outlet is always within reach as the line cord is the means of emergency disconnection!**

Initial Setup Procedure:

If any problems are found during the initial setup procedure, refer to the troubleshooting section on page 12.

1. Plug the line cord into the rear of the centrifuge. Plug the other end into an approved electrical outlet. **For electrical safety, the unit must always be properly grounded.**
2. Engage the power button on the front of the centrifuge (lower left-hand side). The button will be illuminated when it is activated.
3. For safety purposes, the locking system is always activated. To deactivate the system (in order to insert or retrieve samples) press the 'OPEN / EMERGENCY STOP' button on the control panel. The 'UNLOCKED' indicator light should illuminate. If it does not, refer to page 12 on troubleshooting. The lid will be unlocked for 15 seconds after pushing the 'OPEN / EMERGENCY STOP' button.
4. Turn the latch counter-clockwise and open the lid.
5. Spin the rotor by hand; check for free and level rotation. If the rotor does not spin freely, refer to page 12 on troubleshooting.
6. Check the thumb screw in the middle of the rotor and make sure that it is tight.
7. Place the test tube carriers inside the rotor and verify that they are seated properly.
8. Close the lid. Rotate the lid knob clockwise to its complete stop position. The 'LATCH' indicator light should be illuminated. If it is not, make sure that the lid is latched properly. The centrifuge will not run unless the lid is latched and the 'LATCH' light is on.

(continued next page)

(Continued)

9. If this is a variable speed version, turn the speed control to MAX.
10. Turn the centrifuge on by pushing the 'START' button.
11. The 'RUN' indicator light will illuminate.
12. The unit will accelerate to its set speed.
13. Listen to the sound of the centrifuge. A smooth whirring sound should be heard. If there are any loud or unusual sounds, stop the centrifuge by pushing the 'OPEN / EMERGENCY STOP' button immediately and refer to page 12 on troubleshooting.
14. While the machine is running, try to turn the latch counter-clockwise. Power may be cut to the motor but you should not be able to fully turn the latch. If it is possible to turn the latch and open the lid while the unit is running, contact your authorized dealer or The Drucker Company. Close and latch the lid.
15. Push the 'OPEN / EMERGENCY STOP' button. The 'RUN' indicator light should go out and the motor should slow to a stop.
16. The lid should remain locked until the rotor has stopped. If the machine unlocks prematurely, contact your authorized dealer or The Drucker Company. Once the rotor has stopped, a beeper will sound and the interlock system will become disengaged for sixty (60) seconds. The 'UNLOCKED' indicator light will be illuminated during this time.
17. To gain entry into the centrifuge after this period has ended, simply press the 'OPEN / EMERGENCY STOP' button. The lid will unlock for fifteen (15) additional seconds. Repeat if necessary.

***After the centrifuge has passed this procedure,
it is ready for operation.***

***If you would like to make adjustments to your machine's
settings, please continue on to "Additional Set-Up Procedures".***

Additional Set-Up Procedures (Optional):

1. Verify the Run-Time Preset:

NOTE: The centrifuge must be plugged in and the lid must be opened to access programming functions!

- a. Push and hold the 'START' button for approximately three (3) seconds. The 'LATCH' indicator light will begin to flash; indicating program mode.
- b. When you release the 'START' button, the 'RUN' indicator light will begin to flash. Each flash of the 'RUN' indicator light represents one minute of run time. If the time indicated is not desired, follow the instructions on the rear of the centrifuge to change it.

(continued next page)

2. Change the Run-Time Preset:

NOTE: The centrifuge must be plugged in and the lid must be opened to access programming functions!

- a. Push and hold both the 'START' and 'OPEN / EMERGENCY STOP' buttons for approximately three (3) seconds. The 'LATCH' indicator light will begin to flash; indicating program mode. Release the two buttons.
- b. Press the 'START' button once for each minute of desired run time. The 'RUN' indicator light will flash once for each entered minute.
- c. Press the 'OPEN / EMERGENCY STOP' button to save the change and exit programming mode.
- d. If desired, use the "verify the preset time" procedure to confirm that the adjustment is correct.

Operation:

NOTE: Follow the initial setup procedure on page 5 before initial operation.

1. Plug the centrifuge into an approved 115 Volt A.C., 50/60 Hz. outlet.
2. Push the 'OPEN / EMERGENCY STOP' button and then open the lid.
3. Place the test tube samples into the tube carriers. Be sure to follow the rules for balanced loads. See next page for assistance.
4. Close the lid and turn the lid knob clockwise to its complete stop position. The 'LATCH' indicator light should turn on to indicate that the latch is closed properly.
If the lid knob is not completely latched, the 'LATCH' indicator light will not turn on and the centrifuge will not operate!
5. Turn on the machine by pushing the 'START' button on the control panel.
6. The centrifuge should begin to spin. The 'RUN' indicator light should illuminate.

IF A PROBLEM IS FOUND DURING A SPIN THAT REQUIRES THE CENTRIFUGE TO SHUT DOWN, PRESS THE 'OPEN / EMERGENCY STOP' BUTTON !

7. The run indicator light will begin to flash when one minute remains in the cycle.
8. After time has elapsed, the 'RUN' indicator light will extinguish and the rotor will brake to a complete stop.
9. The 'UNLOCKED' indicator light will illuminate, a beeper will sound and the locking mechanism will disengage allowing entry into the rotor chamber. If it does not, refer to page 12 on troubleshooting.
10. Turn the lid knob counter-clockwise and open the lid.
11. Remove the samples.
12. If the machine re-locks before the samples are removed, press the 'OPEN / EMERGENCY STOP' button to unlock the lid for an additional fifteen (15) seconds. Repeat if necessary.

horizon ELITE

BALANCED LOADS

**Your centrifuge must contain a balanced load in order to work properly.
To ensure that the load is balanced, keep these rules in mind when
inserting test tube samples:**

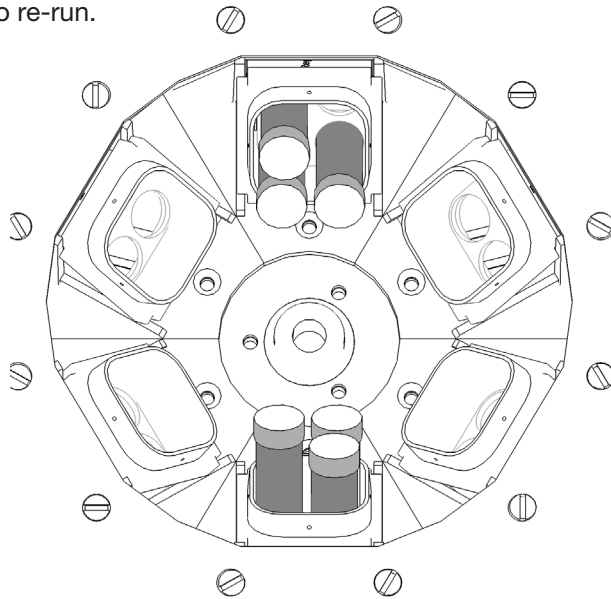
1. Opposing tube carriers must be identical.
2. Opposing tube carriers must be empty or loaded with an equal number of equally weighted samples.
3. If an odd number of samples is to be spun, use a water-filled tube to mate with the unpaired one.

Note: The 755 is designed to detect serious out-of-balance situations and will safely terminate a run if one is detected. The 755 will cut power to the motor and wait for the rotor to stop spinning before unlocking. The load should be balanced before an attempt is made to re-run.

4. When loading tubes into opposing carriers, the carriers will be balanced when the tubes are loaded diagonally from one another. See the illustration to the right.

Note: When loading tubes that are longer than 100mm in length, the maximum capacity is two (2) tubes per carrier. Place these longer tubes in the right-hand side of each carrier.

Note: When spinning glass tubes in the 4-place carrier, it is recommended that the 0.25" tube cushion (p/n 9150) be placed in the bottom of the carrier.



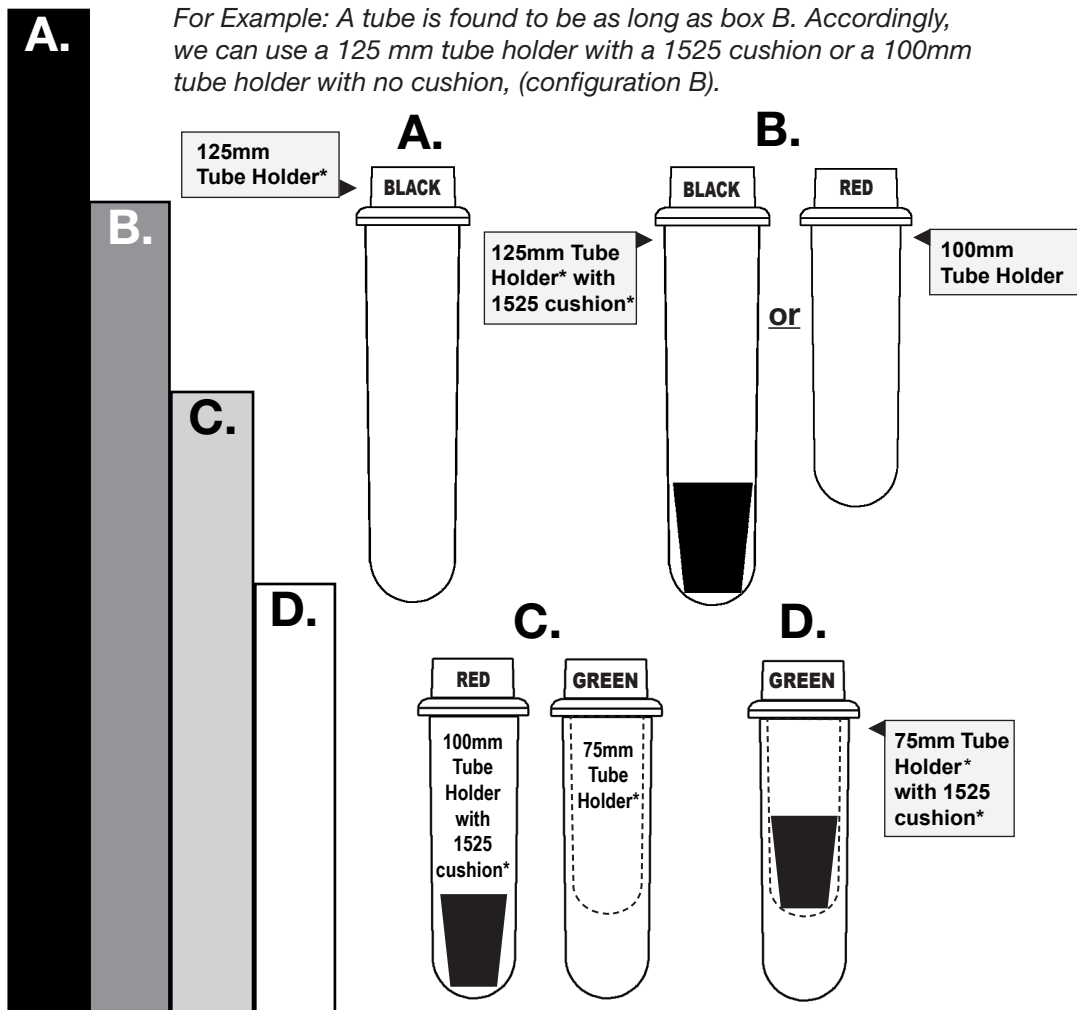
755-24 Shown

Tube Holder Configurations: 12-Place or Fixed Angle only

Your Horizon Model 755 centrifuge can spin various test tube sizes ranging from 1.5mL to 15mL, (up to 125mm, (4.9 in.) in length), with the appropriate accessories. Use the following chart and drawing to determine which tube holder and cushion combination should be used with your application.

DIRECTIONS:

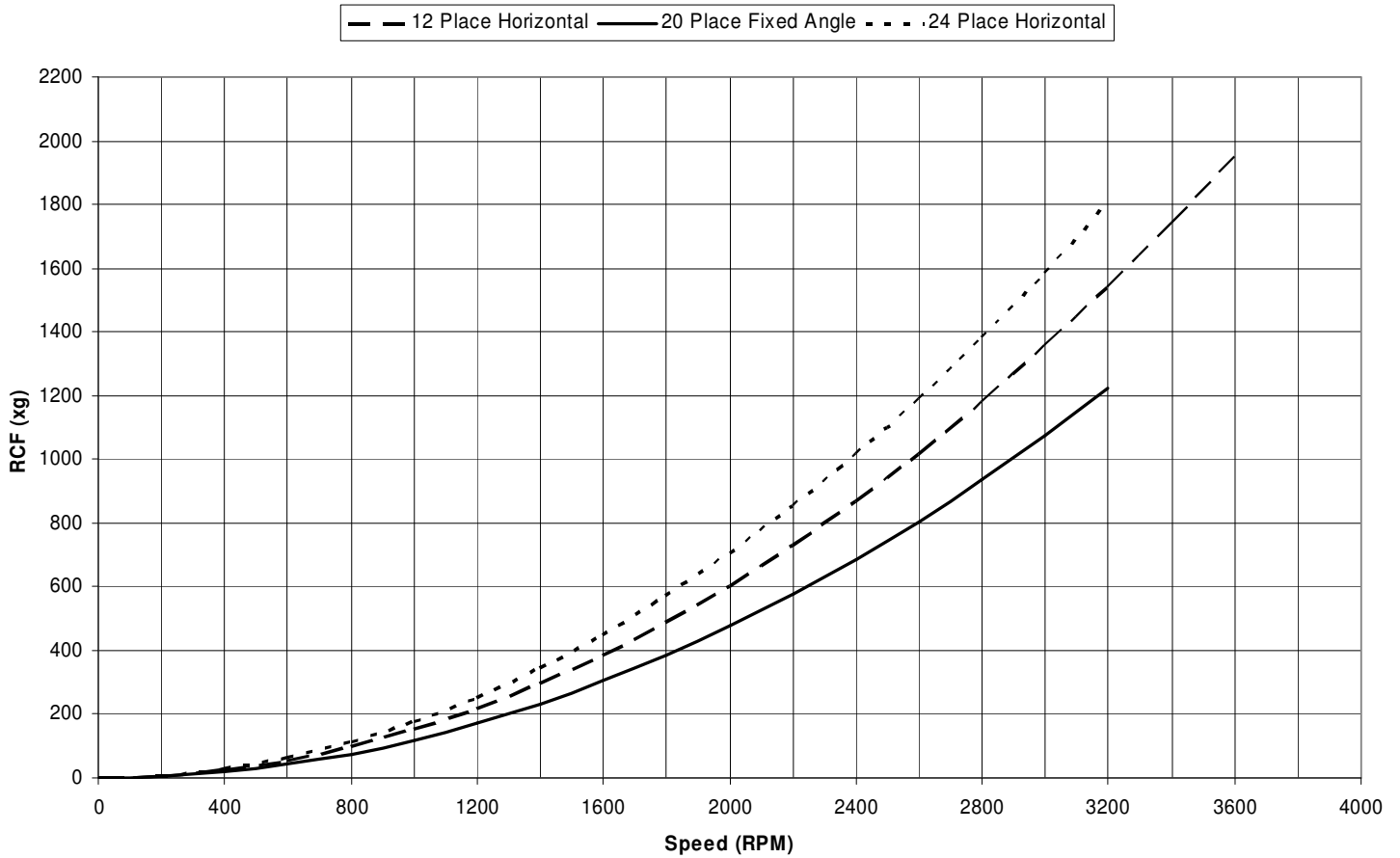
1. Compare the tube to be spun with the four boxes shown below.
2. Find the box that most closely matches the tube's length. NOTE: The tube length with its stopper or cap must be shorter than the chosen box or the tube will not fit properly in the tube holder.
3. Match the letter from the chosen box with one of the configurations shown.



* This part is available as an accessory. Contact The Drucker Company for assistance.

Force Chart:

Model 755 Relative Centrifugal Force Chart



This chart will allow you to set your Model 755 centrifuge to a desired g-force by providing the appropriate speed for the rotor you are using.

Instructions for using this chart:

Find the desired force on the left-hand column and then follow across at that level until you meet the line for the tube holder you use. Follow this intersection point down to the bottom of the chart to reveal the speed required to produce that force.

- * The graph shows the RCF, (relative centrifugal force), when using the 100mm red tube holder. The use of different tube holders and / or cushions will alter the RCF.

Care and Preventative Service:

With proper care and maintenance, your Horizon centrifuge will provide years of laboratory service. For proper care, the following steps should be taken:

1. **Provide Adequate Ventilation:** For cooling purposes, the Horizon draws in ambient air through the rear of the lid and exhausts this air out the rear of the base. Do not block the rear of the centrifuge as this will not allow the machine to properly ventilate itself.
2. **Always Spin Balanced Loads:** Make certain that opposing tube holders are filled with an equal volume sample or an equivalent weight water-filled tube. The Horizon has a cushioned motor mounting design which, along with its rubber feet, produces excellent vibration dampening. However, out-of-balance loads may break glass test tubes and may produce unsatisfactory separation results. Proper load balancing will improve sample separation and extend the life of the centrifuge. Refer to page 8 on balanced loads for additional information on balancing the load.
3. **Keep the Tube Holders Clean:** Small glass fragments left in the tube holder after a tube breakage may adhere to the next test tube inserted in that holder. When this tube is handled, these fragments may puncture protective gloves and lacerate the operator's fingers or hand. Remaining fragments may provide stress points on subsequent tubes and result in additional breakage. If a tube breakage occurs, carefully remove the tube holder. Properly dispose of the sample and tube fragments and thoroughly clean both the inside and outside of the tube holder. Insert a new tube cushion (if necessary) and replace the tube holder in the rotor.

Note: Always follow the safety guidelines of your laboratory to properly clean up and/or dispose of materials in the event that a substance known to be potentially toxic, radioactive or contaminated with a pathogenetic microorganism is spilt in or on the centrifuge.

4. **Motor and Electrical Maintenance:** The Horizon uses a brushless DC motor. It should not need servicing for the life of the centrifuge. The electrical components are selected for high reliability and should not need service.
5. **Keep the Rotor Chamber Clean:** Every six months, or whenever there is a tube breakage, (refer to the note in #3), it may be necessary to remove the rotor and clean the rotor chamber. Follow the instructions on page 9 to remove and re-install the rotor.

CAUTION DURING CLEANING: Once the lid has been opened, unplug the line cord from the electrical outlet to eliminate the risk of electric shock during cleaning.

The rotor chamber, rotor and accessories shall be thoroughly cleaned using either isopropyl alcohol, soap and water or bleach. The use of Fully/Partially Halogenated Hydrocarbons, Ketones, Esters and all other chemicals not prescribed by the manufacturer may cause damage to the rotor and tube holders and should not be used.

Apply cleaning solutions with a towel or cloth. ***Do not submerge the centrifuge in water or other cleaning solutions as this will cause damage and void your warranty!***

6. **Rotor and Tube Holders:** It is recommended that the tube holders be replaced after 24 months of use. Inspect tube holders regularly for cracks. If cracks are discovered, replace immediately. Periodically check the thumb screw in the center of the rotor to ensure that it remains tight.

(continued next page)

(Continued)

7. **Remove Accessories Before Moving:** All tube holders, samples, and caps must be removed from the rotor chamber before transporting or storing the centrifuge to prevent damage and injury.

Before using any cleaning or decontamination methods except those recommended by the manufacturer, users should check with the manufacturer that the proposed method will not damage the equipment. See page 15, Step 5, for the recommended cleaning solutions.

Rotor Removal and Installation:

To remove the rotor:

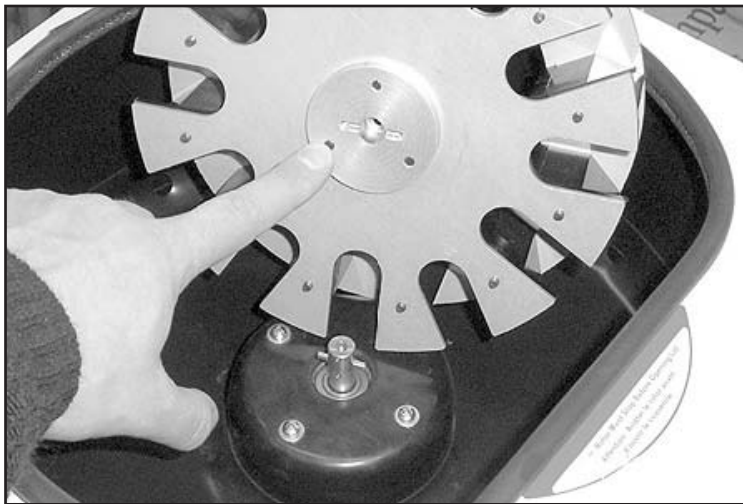
1. Unlock the centrifuge by pushing the 'OPEN / EMERGENCY STOP' button and unlatch and open the lid.

CAUTION: Unplug the centrifuge from the electrical outlet at this time to eliminate the possibility of electrical shock or other injury.

2. Remove the test tube holders.
3. Remove the thumb screw in the center of the rotor.
4. Pull up on the rotor until it is clear of the motor shaft.
5. Remove the rotor from the rotor chamber.

To install the rotor:

1. Place the rotor straight down onto the motor shaft taking care to line up the slot in the bottom of the rotor with the pin in the motor shaft, (see picture). The rotor should slide onto the shaft freely and the rotor should be level.
Be sure that the slot in the underside of the rotor lines up with the pin going through the motor shaft or you may damage the centrifuge!
2. Once a proper fit has been achieved, replace the thumb screw and tighten. The thumb screw must be properly tightened or the rotor may be damaged.
3. Replace the tube holders and verify that they are seated properly.



The slot in the bottom of the rotor must be aligned with the pin in the motor shaft!

4. It is recommended that the initial setup procedures be performed to ensure that the rotor has been installed correctly and that no damage has been done to the centrifuge during the rotor installation or possible rotor chamber cleaning. See page 9 for this procedure.

The Horizon model 755 complies with all requirements of UL standard 61010A-1, 61010A-2-20; Can/CSA C22.2 No's 1010.1; 1010.2.20.

Safety:

Horizon Lid Safety Switch: The Horizon lid is secured to the top of the cabinet by a latching knob and pawl system. When the knob is rotated clockwise, the pawl grips the underside of the cabinet opening and prevents the lid from opening. A mechanical stop positions the pawl and prevents it from rotating completely. When rotated to the stop position, the pawl makes contact with a micro-switch mounted underneath the cabinet top. The lid safety switch prevents the centrifuge from operating while the lid is open. An indicator light on the front of the machine will light up when the lid has been latched properly.

Horizon Lid Safety Interlock System: In addition to the Lid Safety Switch, the Horizon has a true "0 RPM" lid locking system. The lid safety interlock system keeps the lid locked at all times (even during power failure) and requires that the rotor be at rest in order to unlock the lid. The centrifuge will not allow entry into the rotor chamber unless the centrifuge has power and the rotor is stopped. To open the lid, make sure that the centrifuge is plugged in and, with the rotor stopped, press the 'OPEN / EMERGENCY STOP' button.

Note: After the centrifuge has started spinning, it may be possible to rotate the lid knob enough to cause the pawl to lose contact with the lid safety switch. If this happens, the centrifuge motor may lose power, **but the lid will still remain locked.** If the knob is accidentally moved and this situation should occur, rotate the knob fully clockwise to its stop position and the centrifuge will resume operation after a few seconds.

Circuit Breaker: The Horizon is protected with a 4 Amp circuit breaker located at the rear of the machine mounted to the base. Any electrical short circuit will cause the breaker to cut power to the machine.

Imbalance Detection System: In the event that an imbalanced load is spun in this centrifuge, the run will be aborted. A continuous, two-count flash of the run and latch indicator lights signals that an imbalance was detected. Once the centrifuge has safely come to a complete stop and unlocked, press the OPEN button or open the lid to reset fault. Correct the imbalance before proceeding.

Emergency Rotor Chamber Entry:

In the event of power failure, it may be impossible to unlock the lid by conventional means. In this case, entry into the rotor chamber may be made by removing the latch label and using a pen to manually disengage the locking mechanism (see photo). Pull the mechanism towards the control panel and then unlatch and open the lid. If the unit is damaged, contact your authorized dealer or The Drucker Company.



Troubleshooting:

1. Problem: The rotor does not spin freely.

- Solutions:
- Make sure nothing has fallen into the rotor chamber.
 - If there is nothing obstructing the rotor, contact your authorized dealer or The Drucker Company for further assistance.

2. Problem: Excessive noise when the machine is running.

- Solutions:
- Check to see that the load is balanced.
 - Make sure that nothing has fallen into the rotor chamber.
 - Make sure that the rotor is installed correctly and that the center thumb screw is tight.
 - Have a technician test the motor and replace it if necessary.

3. Problem: The centrifuge does not run.

- Solutions:
- Check the electrical outlet.
 - Make sure that the power button is depressed. The centrifuge has power when this button is illuminated.
 - Make sure the lid latch is turned completely clockwise to its stop position. When the lid is closed properly, the latch light on the control panel will illuminate.
 - Check the circuit breaker switch at the bottom right of the machine. If the switch is white, the breaker has tripped. Contact your authorized dealer or The Drucker Company for assistance.
 - The printed circuit board may be damaged. Have a technician test and replace the circuit board if necessary.
 - The model 755 is equipped with severe out-of-balance detection. If a severely unbalanced load is run, the unit may terminate the run shortly after it begins. Balance the load.

4. Problem: The latch light does not come on when the lid is closed.

- Solutions:
- Make sure that the unit has power.
 - Make sure the lid latch is turned completely clockwise to its stop position. The latch makes contact with a switch underneath the front top of the cabinet. If this switch is not activated, the light will not turn on and the machine will not run.

5. Problem: The machine does not unlock after a run has completed.

- Solutions:
- The lid should remain locked until the rotor has come to a complete stop and then unlock for 60 seconds. If additional unlock time is needed, press the 'OPEN / EMERGENCY STOP' button with the machine plugged in and the rotor stopped. If the lid remains locked after this and will not unlock, the electronics may have been damaged. Contact your authorized dealer or The Drucker Company. To access the rotor chamber, follow the procedure on page 11, "Emergency Rotor Chamber Entry".

6. Problem: The run time is not set to the desired length.

- Solutions:
- Check the run preset by following the instructions on page 6. If the preset is not the desired length, follow the instructions on page 7 to change the preset.

Replacement Parts: 755– 24-Place, 755V– 24-Place

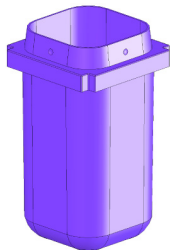
Part No.	Description
7728052	Foot, rubber
7751068	Switch, lid safety
7786022	Rotor, twenty-four place
7735016	Motor, 1/2 H.P., Brushless
7717039	Brushless motor control PC board
7751043	Circuit Breaker
7760002	Power cord
7714101	Pawl, latch, lid
7714103	Knob, latch, lid
7712263	Lid
7713029	Air inlet cover, lid
7724071	Hinge, friction
7732018	Lid gasket
7732019	Rotor chamber gasket
7713027	Exhaust Air Deflector

Accessories:

Call your authorized dealer or The Drucker Company for information on ordering accessories.



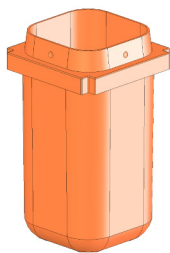
1.5 to 2mL tube Adapter
p/n 7713065



1-Place 50mL Tube Carrier
p/n 7713037



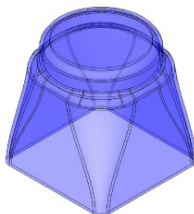
.5 to 1 ml tube Adapter
p/n 7713068



4-Place 100mm Tube Carrier
p/n 7713023



13 x 75mm, polypro
p/n 7713064



Carrier Cap
p/n 7713035



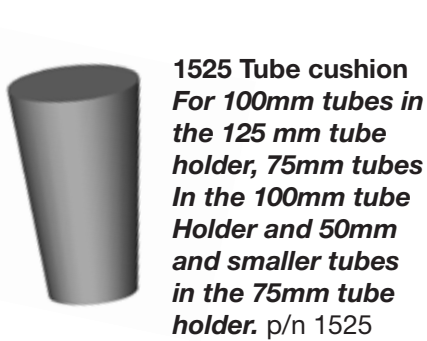
13 x 100 mm insert, tall polypro
p/n 7713066

Replacement Parts: 755– 12-Place, 755V– 12-Place

Part No.	Description
7728052	Foot, rubber
7751068	Switch, lid safety
7786024	Rotor, twelve-place horizontal
7786042	Rotor, twenty-place fixed-angle
7786044	Rotor, six-place fixed angle
7735016	Motor, 1/2 H.P., Brushless
7717039	Brushless motor control PC board
7751043	Circuit Breaker
7760002	Power cord
7714101	Pawl, latch, lid
7714103	Knob, latch, lid
7712263	Lid
7713029	Air inlet cover, lid
7724071	Hinge, friction
7732018	Lid gasket
7732019	Rotor chamber gasket
7713027	Exhaust Air Deflector
7713032	Tube holder, black, for 125mm tubes
7713031	Tube holder, red, for 100mm tubes
7713033	Tube holder, green for 75mm tubes

Contact your authorized dealer or The Drucker Co. for information on ordering parts or accessories.

Available Accessories:



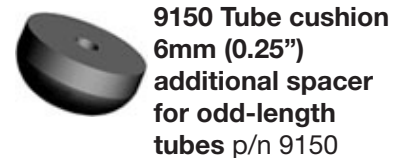
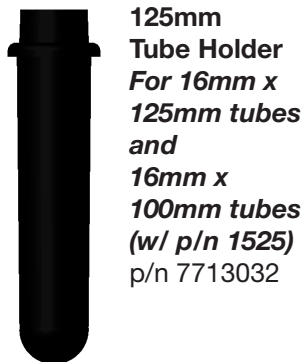
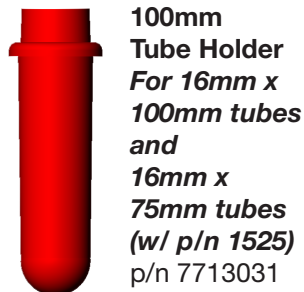
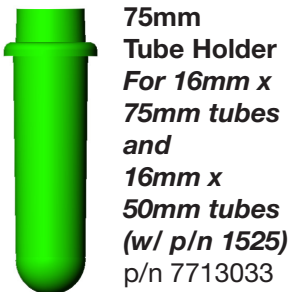
Pediatric/ Microtube Adapter
p/n 7713065



13 x 75mm insert, polypro
p/n 7713064



13 x 100 mm insert, tall polypro
p/n 7713066



20-Place Fixed-Angle Rotor
For use with the 75mm, 100mm and 125mm tube holders
p/n 7786042



WARRANTY

The Drucker Company warranties that this centrifuge is free from defects in materials and workmanship for 5,000 cycles or 12 months, whichever comes first. Should the centrifuge require warranty or out-of-warranty service please contact: